

Deck Mounted Sensor Tap

PRODUCT FEATURES

- Automatic infrared sensor activation faucet
- Fully automatic sensor activation for personal hygiene
- Electrical sensor is isolated and sealed in waterproof compartment
- Self adjusting signal frequency to prevent interference with other sensor products

PRODUCT SPECIFICATIONS

- Dimension : 160 (L) x Ø28 (W) x 175 (H) mm
- Material : Polished brass with chrome finished
- Power Supply : 230VAC 50Hz
- Detection Range : Self-adjusting to environment
- Operating Temperature : 0 – 40°C
- Supply Pressure : 70 kPa (flowing) – 700 kPa
- Water Consumption : 10 secs. Faucet: 0.35 litre per cycle
- Saving Feature : Auto cut-off when hands are removed
- Detection Time : ON feature: Immediate
OFF feature: 0.5 secs. delay

WATER CONSUMPTION

- Water Flow Rate : 6.0L/minute



RESOURCEFUL FEATURES:



Constant Flow Regulator



Anti-Conflict

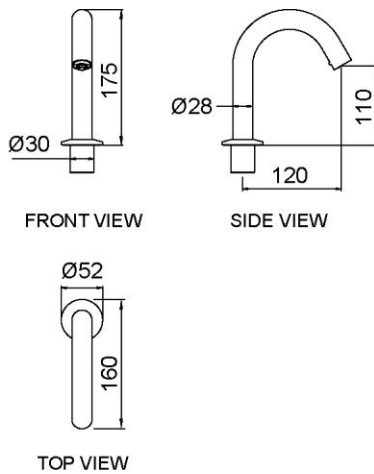


Touch-Free



RC1000 Remote Control

TECHNICAL DRAWING



INSTALLATION DETAILS

